



Jesuit Robotics

international robotics team

School: Jesuit High School
Home State: California
Miles Traveled: 2398
Times Completed: 5
Grade Levels: 9-12

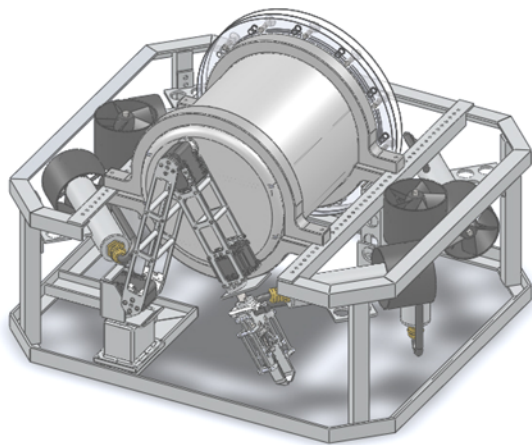
The Team:

Evan Arnold (R)
EJ Borg (R)
Phillip Coyle (R)
Christopher Eur (R)
Brian Grau (R)
Joe Griffin (R)
Chris Konstad (N)
Steven Larsen (R)
Chris Lloyd (R)
Greg Marchese (R)
Drake Nylund (N)
Andrew Patel (R)
Cody Price (N)
Will Sitzenstatter (N)
Louis Styer (N)
John Taseff (R)



Left to Right: Jared Wilson: CADD; Steven Larsen: Team Co-Captain; Brian Grau: CADD; Phillip Coyle: Machining; Drake Nylund: Construction; Louis Styer: Programming; Evan Arnold: Machining; Greg Marchese: Electronics; Chris Konstad: Machining; Cody Price: Videographer; Matt Yang: Construction; Chris Eur: CADD; Joe Griffin: Construction; John Taseff: Team Co-Captain; E.J Borg: Presentation

The Robot:



Name: Narwhal
Cost: \$4,060
Materials: Aluminum and Polycarbonate
Dimensions: 50cm x 45cm x 32cm
In Air Weight: 10.6 kg

Safety Features:

- Thermal shutdown
- Fusing/Circuit Breakers
- Isolated Power Converter
- Current Limiting

Special Features:

- "Return to home" on arm
- Automatic motor failure correction