

# Ozaukee High Robotics

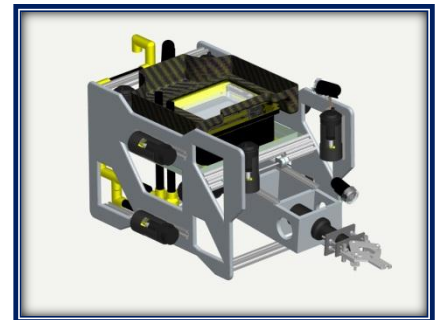
Ozaukee High School – Fredonia, WI



(From Left) Alex Burmesch – Accountant, Dustin Richter - CEO, Sandra Kotzian – Frame Engineer, Randy Vogt – Mentor, Matt Demler – DSS Engineer, Clara Paulus – Practice Coordinator, Ali Hughes – Creative Design, Andrew Habic – Frame Engineer, Jeff Kresse – Technical Writer, Joey Leiphart – Research and Development, Elliot Thome – Business Director, Mitch Janke – Frame Engineer, Eric Hartnett – Computer Aided Design, Dominic Enea – Gripper Engineer, Terry Hendrikse – Instructor / Mentor, Nick Vogt,- Programmer / Electrical Engineer

## Team Information

- Association – Ozaukee High School
- Company Name – Ozaukee High Robotics
- Fredonia, Wisconsin - Approximately 1228 miles from International Competition at NASA Johnson Space Center
- Our team members are all high school students, there are two Juniors and 12 Seniors
- Two of our members, Dominic and Nick, are returning competitors. Both Mr. Hendrikse and Mr Vogt have mentored previously as well.
- All other members are new to MATE ROV competition



## ROV Specs

- Name: GEN3
- Total Cost: \$3,867.31
- Primary Frame Materials: Low Density Polyethylene (LDPE), 80/20 Aluminum, Hybrid Carbon Fiber/Kevlar fabric
- Approximate Dimensions: 41cm x 41cm x 63cm
- Weight in air: 23.6 kg
- Safety Features: 25 amp fuse on positive tether lead, individually fused electrical components, rounded edges and surfaces, safety decals, PVC and wire propeller guards
- Special Features: Multi-Axis manipulator, Double Sucker System (DSS), Storage Basket/Shelf, Student-coded control program and graphicGUI

