



Purdue University IEEE ROV Team

West Lafayette, Indiana, USA



Seth Baklor
Industrial Engineering
Senior
Team Captain
4th Year Competing



Lawrence Goldstein
Mechanical Engineering
2012 Graduate
Mechanical Team Lead
3rd Year Competing



Emily Keen
Mechanical Engineering
2012 Graduate
Mechanical Team
1st Year Competing



Jack McCormack
Mechanical Engineering
Senior
Mechanical Team
2nd Year Competing



JT Brennan
Mechanical Engineering
2012 Graduate
Mechanical Team
1st Year Competing



Kellie Skidmore
Mechanical Engineering
2012 Graduate
Mechanical Team
1st Year Competing



Kelsey Pombo
Mechanical Engineering
2012 Graduate
Mechanical Team
1st Year Competing



Nick Molo
Electrical Engineering
Junior
Electrical Team Lead
1st Year Competing



Michael Hayashi
Electrical Engineering
Sophomore
Electrical Team
1st Year Competing



Reid Fouch
Electrical Engineering
Senior
Electrical Team
1st Year Competing



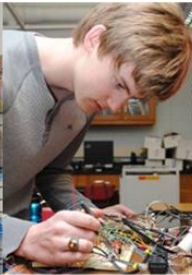
Rob Swanson
Electrical Engineering
Senior
Electrical Team
3rd Year Competing



Tyler Reid
Computer Science
Junior
Electrical Team
1st Year Competing



Erik Kasparian
Electrical Engineering Tech
Senior
Electrical Team
1st Year Competing



Houston Fortney
Electrical Engineering
Sophomore
Electrical Team
1st Year Competing



Danielle Clifford
Technical Writing
2012 Graduate
Poster/Report
3rd Year Competing



Jason Gary
Computer Graphics Tech.
2012 Graduate
Poster/Report
3rd Year Competing

Distance Traveled: 1424 KM

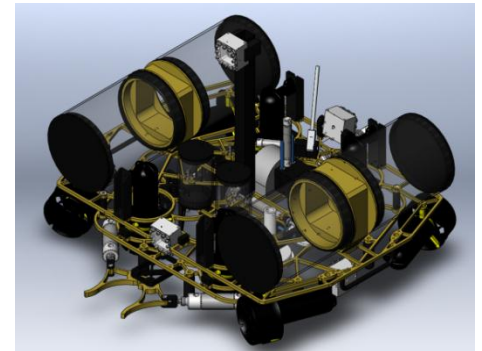
Year Competing: 4th Year

2011 Finish: 2nd Place

Range of Grade Levels:
Sophomore to Senior

ROV

PotaTOS

Total Cost of ROV: \$20,410.51 USD

Overall Dimensions: 68 cm x 61 cm x 27.6 cm (without periscope)

Primary Materials: aluminum, stainless steel, polyoxymethylene (delrin), high-density polyethylene, polycarbonate

Total Weight in Air: 17.2 kg

Height with Periscope: 47 cm

Special Features: immense power to weight ratio, dual-plane aluminum frame, one-dive to finish entire mission, single fixed manipulator for simplicity, entirely custom onboard electronics system and software

Key Safety Features: shrouds on all propellers, plastic propellers, all electrical wiring sealed with liquid electrical tape and heat shrink, multiple fuses throughout electrical system, emergency quick release pneumatic valve

Purdue Offshore Tanker Assessment and Tactical Operations Submersible